

Motion detector - Professional Line

IS 2180 ECO

Anthracite

EAN 4007841 064907

Article number 064907



infrared sensor
180°



max. 12 m

2000 W

2000 W max.
(LED-ready)



IP54



Ideal 2 m



2 - 2000 lux



10 sec - 15 min



in-/ outside corner
bracket included



energy saving



CE

Function description

Attractive, clever, efficient. Infrared motion detector IS 2180 ECO for outdoors, ideal for building fronts and properties, medium-sized business and outdoor spaces, ideal installation height 2 m, 180° angle of coverage, reach. 12 m max. or 5 m max. (tangential), selectable time and twilight threshold, manual override, including corner wall mount for external and internal corner.

IS 2180 ECO

Anthracite

EAN 4007841 064907

Article number 064907



Technical specifications

Type	Motion detectors
Dimensions (L x W x H)	55 x 78 x 120 mm
Mains power supply	230 V / 50 Hz
Power consumption	0,5 W
Sensor Technology	passive infrared
Application, place	Outdoors
Installation site	wall, corner
Installation	Surface wiring
Mounting height	1,8 – 4 m
Reach, radial	r = 1.5 m (4 m ²) / r = 3 m (14 m ²)
Reach, tangential	r = 5 m (39 m ²) / r = 12 m (226 m ²)
Detection angle	180 °
Angle of aperture	90 °
Switching zones	508 switching zones
Optimum mounting height	2 m
Mechanical scalability	No
Sneak-by guard	Yes
Capability of masking out individual segments	Yes
Electronic scalability	No
Twilight setting TEACH	No
Twilight setting	2 – 2000 lx
Time setting	10 s – 15 Min.
Output	2000 W
Switching output 1, resistive	2000 W
Switching output 1, number of LEDs / fluorescent lamps	6 pcs.
Switching output 1, floating	No

Fluorescent lamps, electronic ballast	1000 W
Fluorescent lamps, uncorrected	500 VA
Fluorescent lamps, series-corrected	406 VA
Fluorescent lamps, parallel-corrected	406 VA
Switching output 1, low-voltage halogen lamps	1000 VA
LED lamps	16 W
LED lamps > 2 W	64 W
LED lamps > 8 W	64 W
Capacitive load in µF	132 µF
Constant-lighting control	No
Basic light level function	No
Settings via	Potentiometers
With remote control	No
Interconnection	Yes
Type of interconnection	Master/master
IP-rating	IP54
Material	Plastic
Ambient temperature	-20 – 50 °C
Application, room	outdoors, front door, all round the building, terrace / balcony, courtyard & driveway
Colour	Anthracite
Colour, RAL	7016
IDs, certificates	VDE
Manufacturer's Warranty	5 years
Version	Anthracite
PU1, EAN	4007841064907

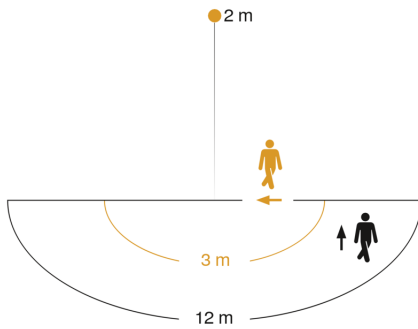
IS 2180 ECO

Anthracite

EAN 4007841 064907

Article number 064907

Detection Zone

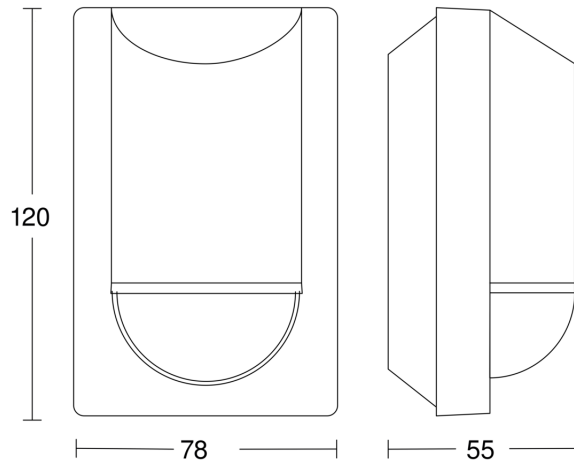


Mögliche Montagehöhe: 1,80 m – 4,00 m

Orange: radial

Schwarz: tangential

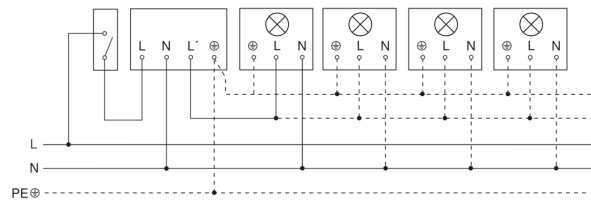
Dimension Drawing



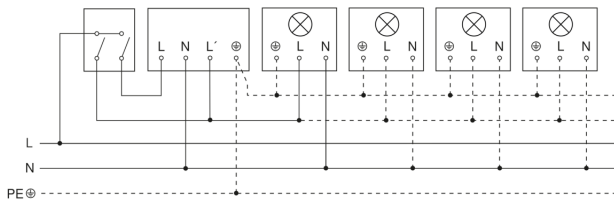
Light without neutral conductor



Light with neutral conductor



Connection using two-circuit switch for manual and automatic operation



Connection via a two-way switch for manual override and automatic operation

